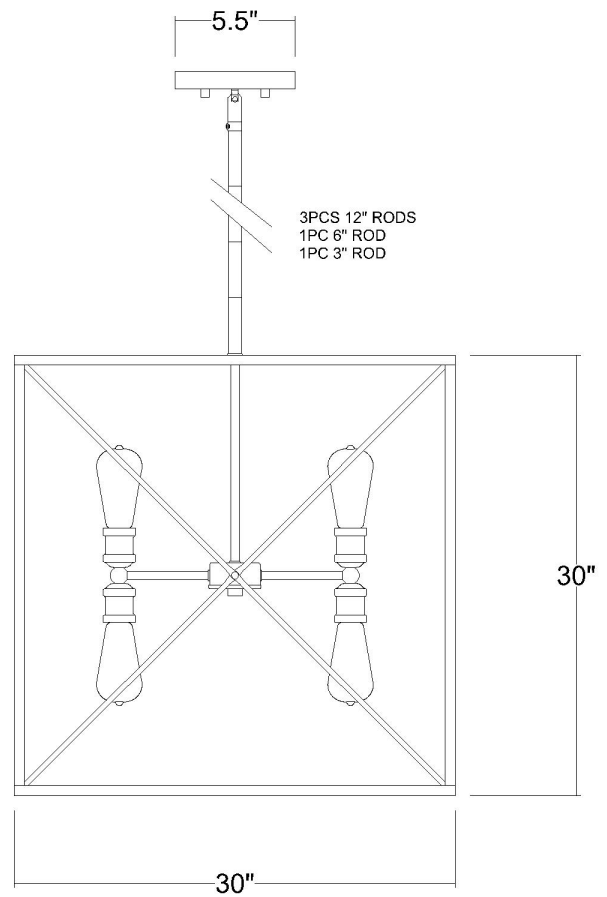


IN21127ORB

BROOKLYN 8-LIGHT PENDANT



Description: Brooklyn 8-Light Pendant

Finish: Oil Rubbed Bronze

Dimensions: 30" Sq. x 30" H

Bulbs: 8-100W Med.

Installed Weight: 20.5 lbs.

Certification: cUL / dry location

Material: Steel

Shades: NA

Glass: NA

Canopy Dimensions: 5-1/2" Sq.

Chain/Wire: 12' Wire

Stems: 3-12", 1-6", 1-3"

Additional Finishes: NA